

Std Back-Up For Flatbed Truck Mount Parts List

Item #	Part #	Item Description	Qty
10	10300	Back-Up Assembly	1
11	10351	Bracket Hydraulic Right	2
12	10352	Bracket Hydraulic Left	2
13	10353	Backing Plate	1
14	10354	4" x 9" Angle Right	1
15	10355	4" x 9" Angle Left	1
16	10356	4" x 4" Bottom Angle	1
26	10701	Swivel Jack	2
110	12010	1"-8 x 3" Bolt GR.5 HHCS-Z	16
111	12011	1"-8 x 7" Bolt GR.5 HHCS-Z cut to 5 1/2" chamfered	2

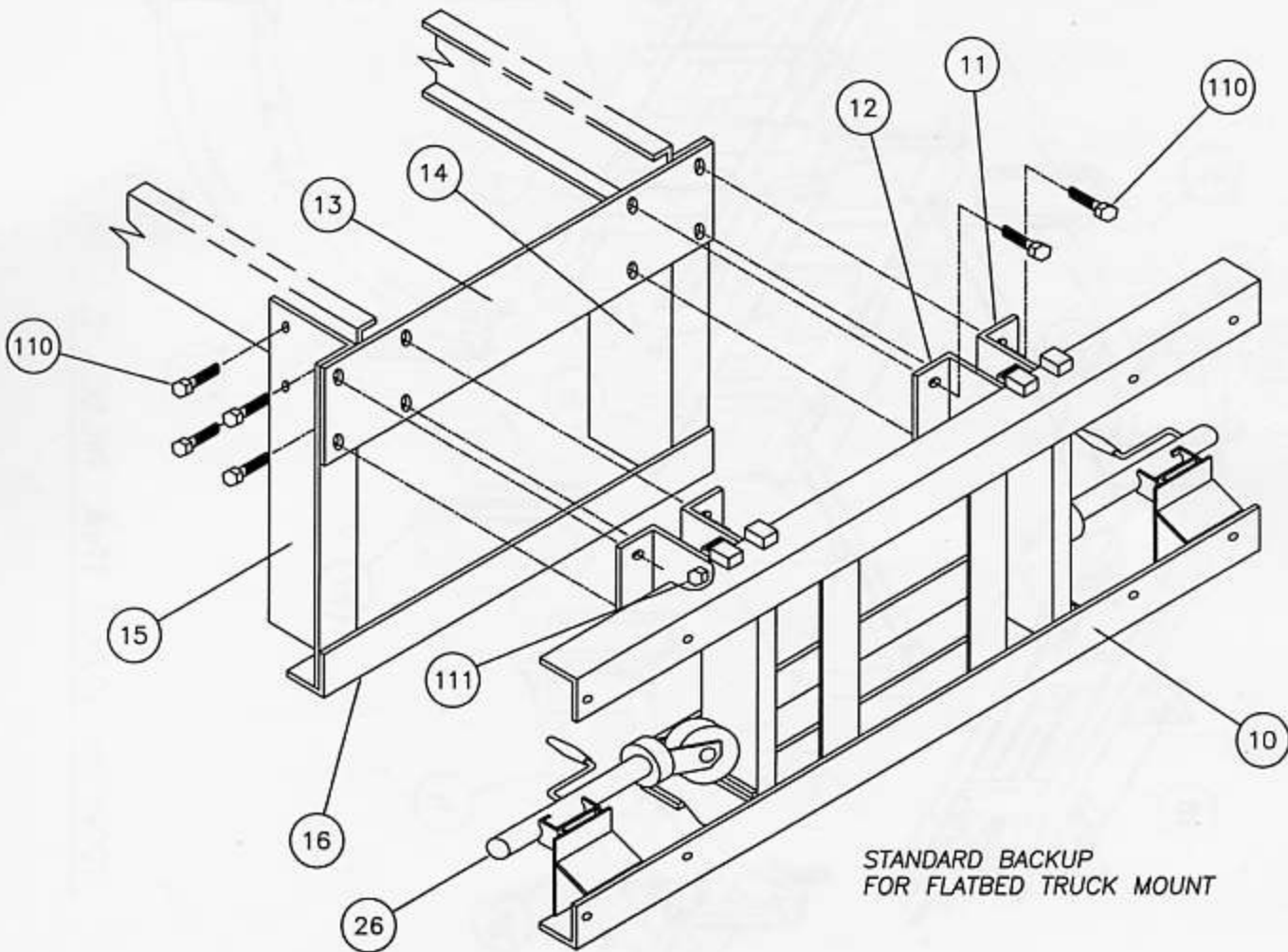


Fig. 4

Revision B