

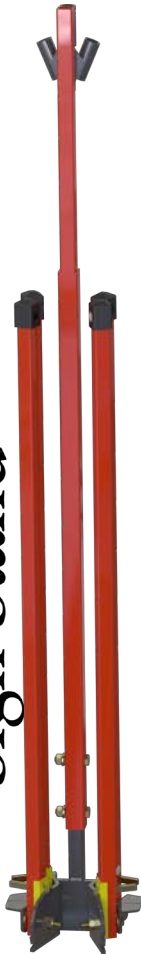
# Replacement Parts Guide

*For Sign Stand Products*

Phoenix™ Sign Stand

TraFFix® Sign Stand

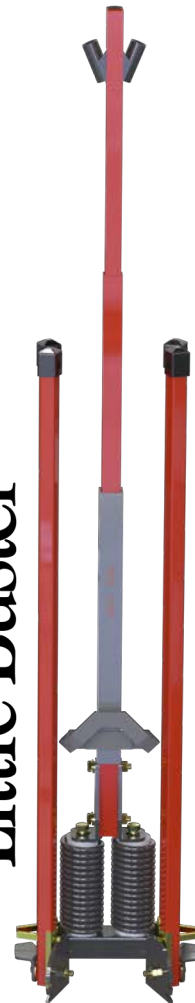
Econo Buster®  
Sign Stand



Big Buster®



Little Buster®



Zephyr®

**TraFFix  
Devices Inc.**



*Engineered Products for Safer Highways*

160 Avenida La Pata

San Clemente, CA 92673

*This page intentionally left blank.*

# Table of Contents

## Section 1: X-Base Stands

Little Buster .....	06
Econo Buster .....	08
TraFFix Stand .....	10
Big Buster .....	12

## Section 2: Rubber Base Stands

Zephyr .....	16
Phoenix .....	17

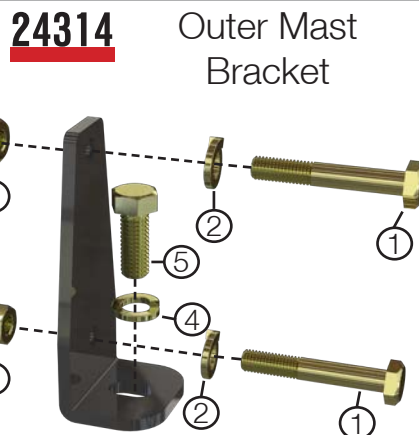
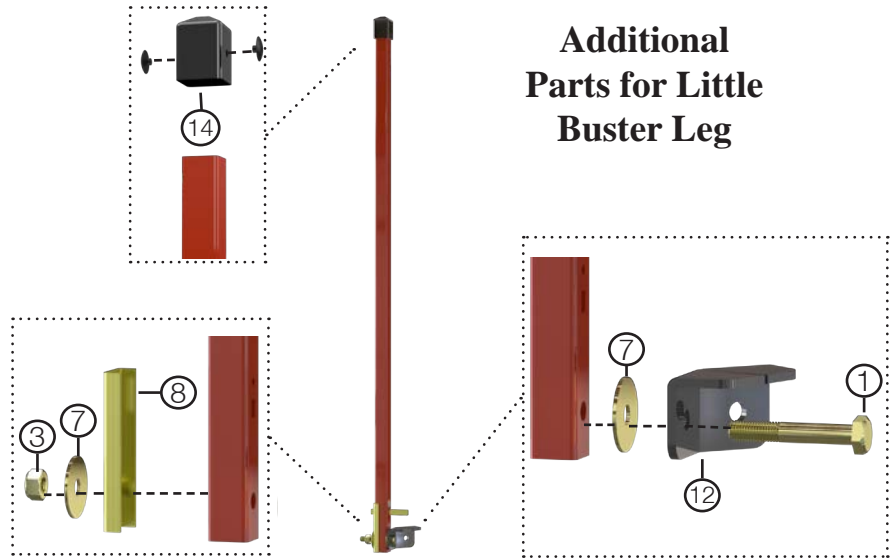
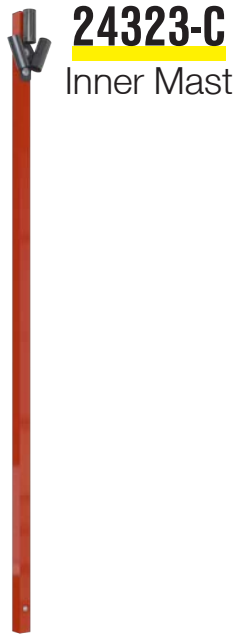
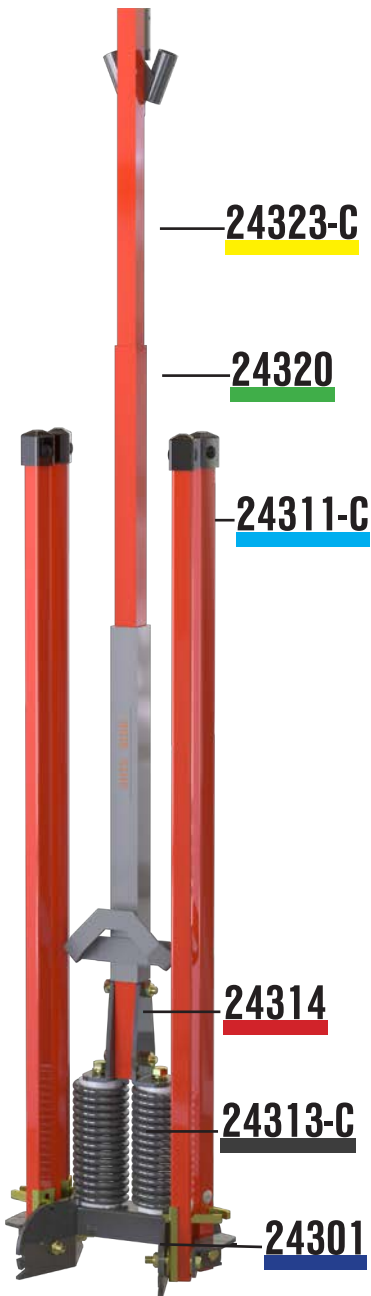
## Section 3: Sign Stand Accessories .....

19

*This page intentionally left blank.*

# **Section 1: X-Base Stands**

# Little Buster Parts



# Little Buster Hardware

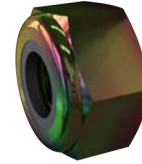
① **24304**  
Bolt, 1.5mm x 65mm



② **24319**  
Washer, Lock



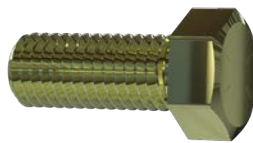
③ **24302**  
Locknut, Hex, M10 x 1.5mm



④ **24316**  
Washer, Lock



⑤ **24315**  
Bolt, 12 x 1.25



⑥ **24329**  
Washer, Flat



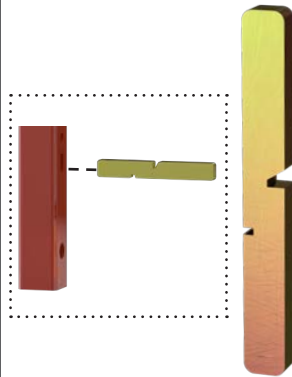
⑦ **24303**  
Washer



⑧ **24306**  
Channel Bracket



⑨ **24307**  
Step Lever



⑩ **22022**  
Blind Rivet, Aluminum



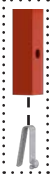
⑪ **24308**  
Extension Spring



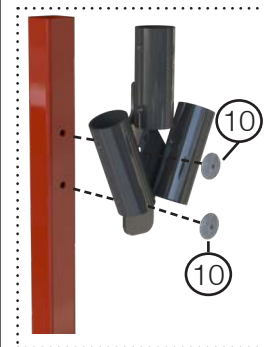
⑫ **24305**  
Tie Bracket



⑬ **24322**  
Spring, Inserted Plate



⑮ **22003-FH**  
Steel, 3 Flag, Holder



\*⑯ **24350**  
Safe Sleeve  
350

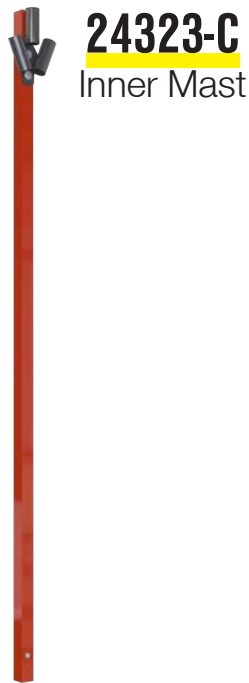


⑭ **24326**  
Black Cap

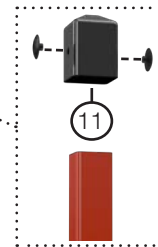


\*Safe Sleeve 350 Sold Separately

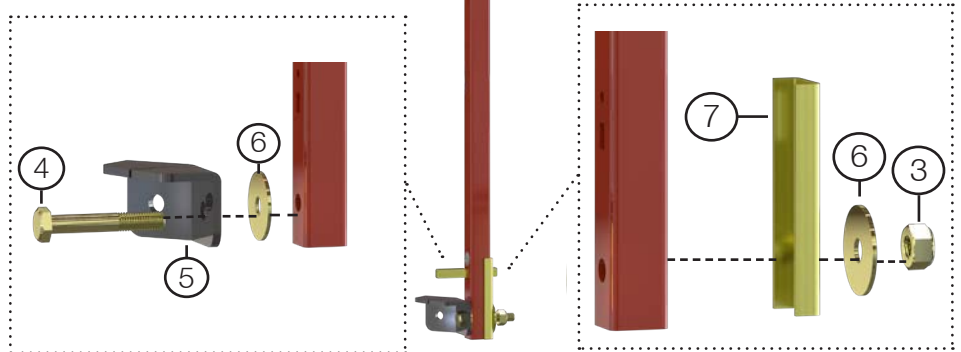
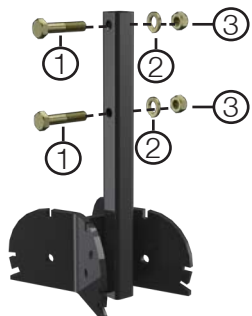
# Econo Buster Parts



## Additional Parts for Little Buster Leg



## **80301** Econo Buster Base Plate





# Econo Buster Hardware

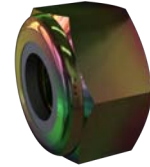
① **80301-B**  
Bolt, 50mm x 10mm



② **24319**  
Washer, Lock



③ **24302**  
Locknut, Hex, M10 x 1.5mm



④ **24304**  
Bolt, 1.5mm x 65mm



⑤ **24305**  
Tie Bracket



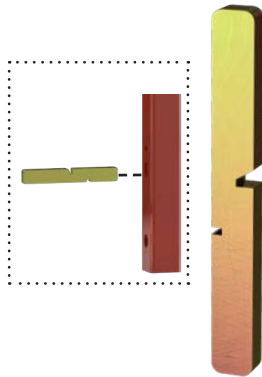
⑥ **24303**  
Washer



⑦ **24306**  
Channel Bracket



⑧ **24307**  
Step Lever



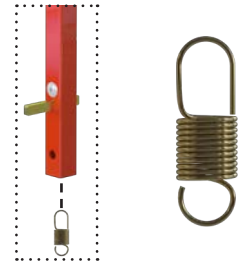
⑨ **22022**  
Blind Rivet, Aluminum



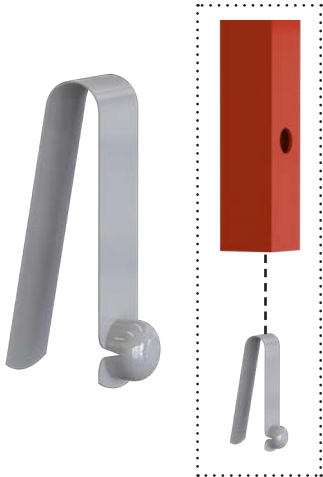
⑪ **24326**  
Black Cap



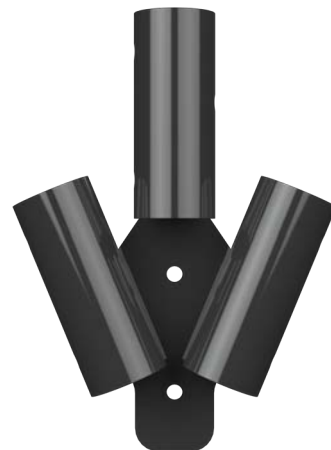
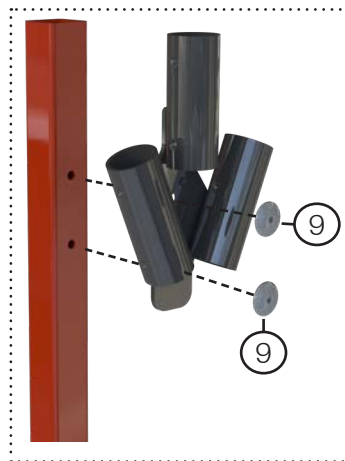
⑩ **24308**  
Extension Spring



⑫ **24322**  
Spring, Inserted Plate



⑬ **22003-FH**  
Steel, 3 Flag, Holder

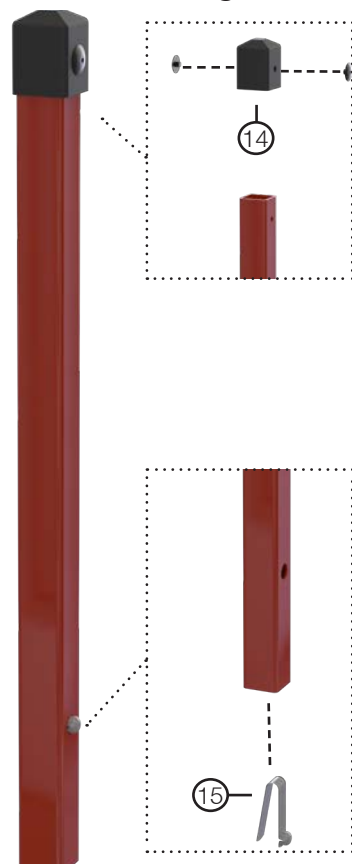


# TrafFix Sign Stand Parts



## 22105

Inner Leg



## 22102-B

OR

## 22012-USH

Latch Bracket

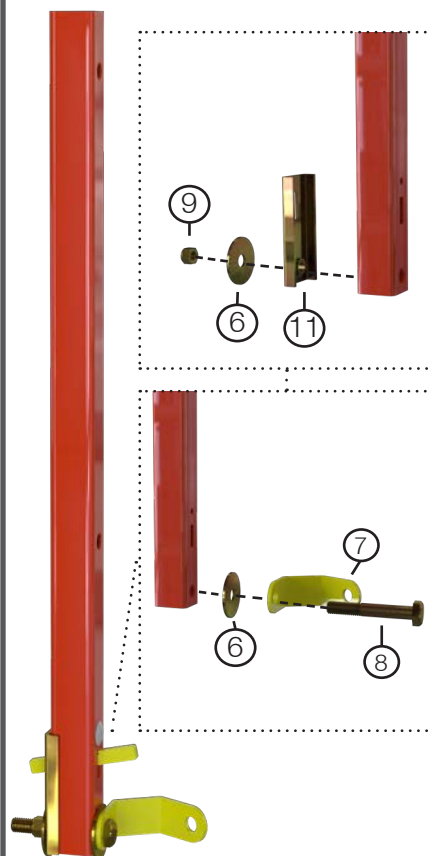
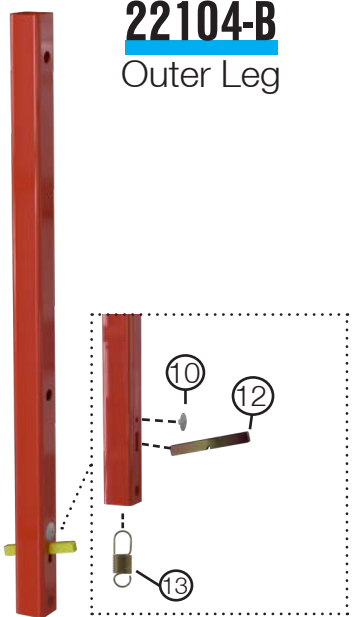
Universal Sign Holder



## Additional Parts for TrafFix Sign Stand Outer Leg

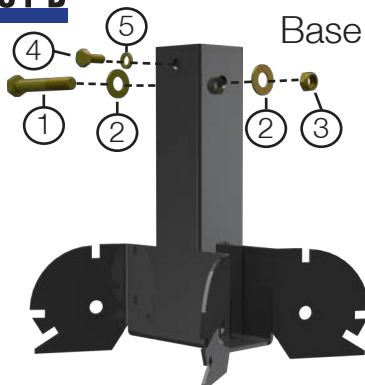
## 22104-B

Outer Leg



## 22101-B

TrafFix Sign Base Plate



# TraFFix Sign Stand Hardware

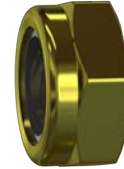
① **22130**  
Bolt, 50mm x 10mm



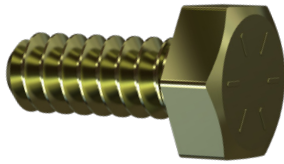
② **22132**  
Washer, Lock



③ **22131**  
Nut, Hex Lock M8



④ **22121**  
Bolt, M6 x 1.0



⑤ **22122**  
Washer, 6MM



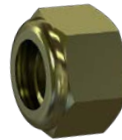
⑥ **24303**  
Washer



⑦ **22107-A**  
Outer Leg, Tie Bracket



⑨ **22118**  
Nut, Hex Lock



⑪ **22106-B**  
Channel Bracket



⑧ **22117**  
Bolt, 1.5 X 65mm



⑩ **22022**  
Blind Rivet,  
Aluminum



⑫ **22119-B**  
Step Lever



⑬ **22120-B**  
Extension  
Spring



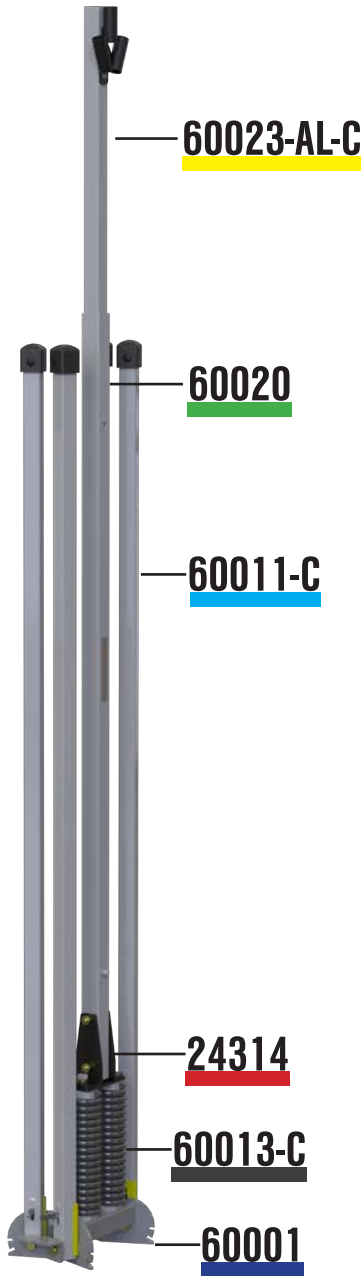
⑭ **24326**  
Black Cap



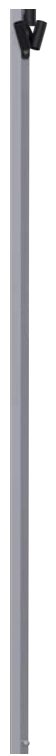
⑮ **22110**  
Plate Spring



# Big Buster Parts



**60023-AL-C**  
Inner Mast



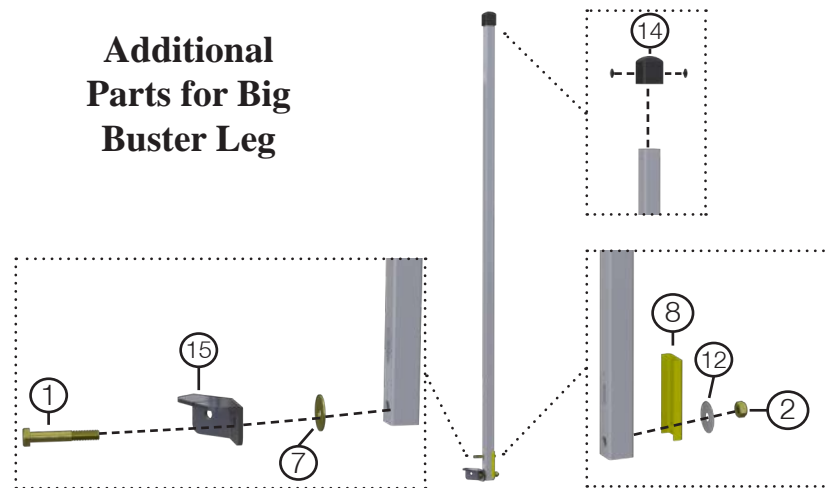
**60011-C**  
Big Buster Leg



**60020**  
Outer Mast



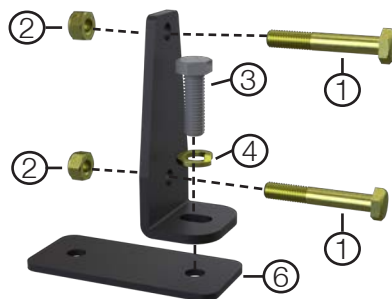
## Additional Parts for Big Buster Leg



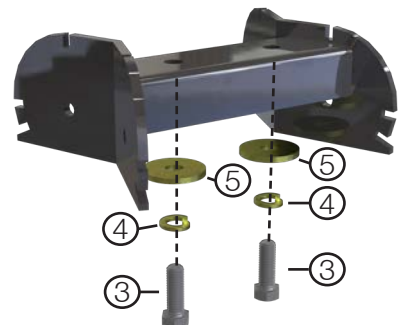
**60013-C** Spring



**24314** Outer Mast Bracket



**60001** Big Buster Base Plate

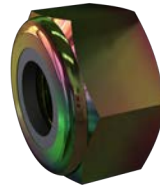


# Big Buster Hardware

① **24304**  
Bolt, 1.5mm x 65mm



② **24302**  
Locknut, Hex, M10 x 1.5mm



③ **60015**  
Bolt, 12 x 1.25



④ **24316**  
Washer, Lock



⑤ **24329**  
Washer, Flat



⑥ **60014B**  
Stiffener Plate, Spring Support



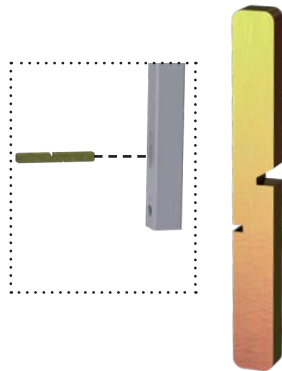
⑦ **24303**  
Washer



⑧ **60006**  
Channel Bracket



⑨ **60007**  
Step Lever



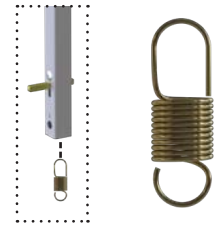
⑩ **22022**  
Blind Rivet, Aluminum



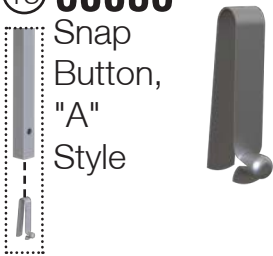
⑫ **60040**  
Washer (Space, Thin)



⑪ **24308**  
Extension Spring



⑬ **60036**  
Snap Button, "A" Style



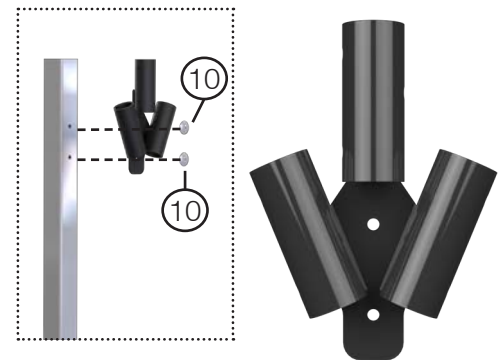
⑭ **60028**  
Black Cap



⑮ **60005**  
Tie Bracket



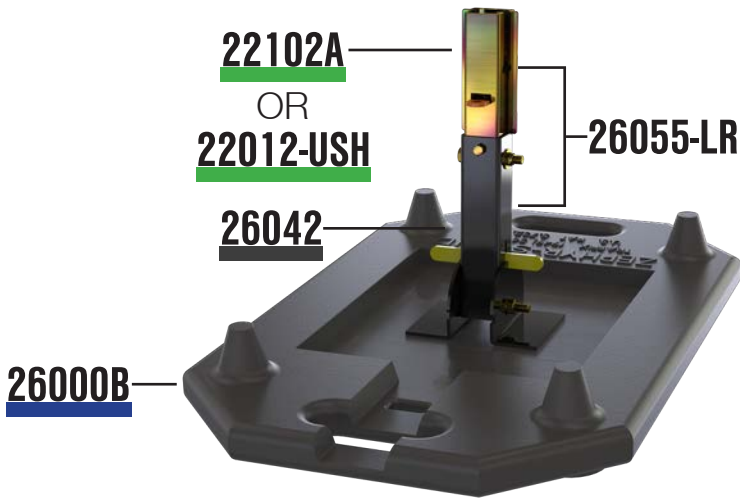
⑯ **22003-FH**  
Steel, 3 Flag, Holder



*This page intentionally left blank.*

# **Section 2: Rubber Base Stands**

# Zephyr Parts



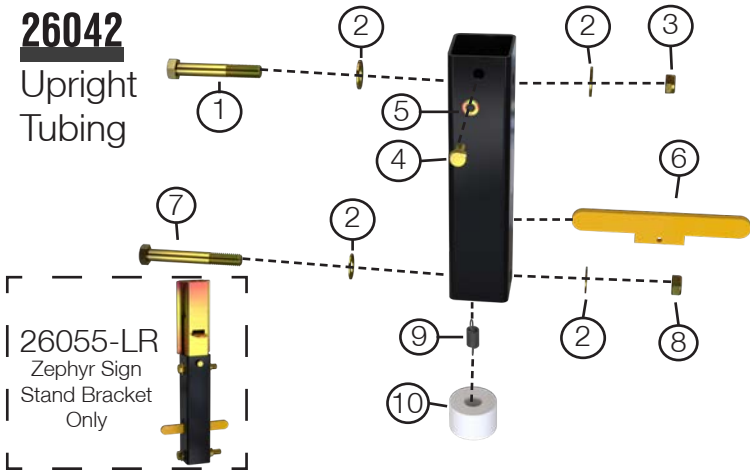
**22102A**  
OR  
Straight Latch  
Bracket

OR

**22012-USH**  
Universal Sign  
Holder



**26042**  
Upright  
Tubing



**26000B** Zephyr Base Plate



① **22130**  
Bolt, M8,  
8MM X  
2 3/8"



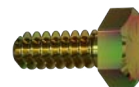
② **26048**  
Washer,  
Flat



③ **22131**  
Nut, Hex  
Lock



④ **22121**  
Bolt, M6  
x 1.0



⑤ **22122**  
Washer,  
Lock



⑥ **26043**  
Latch Bar



⑦ **26046**  
Bolt, 3/8"  
- 16 x 3"



⑧ **26047**  
Nut, 3/8"  
- 16



⑨ **26044**  
SS Extension  
Spring

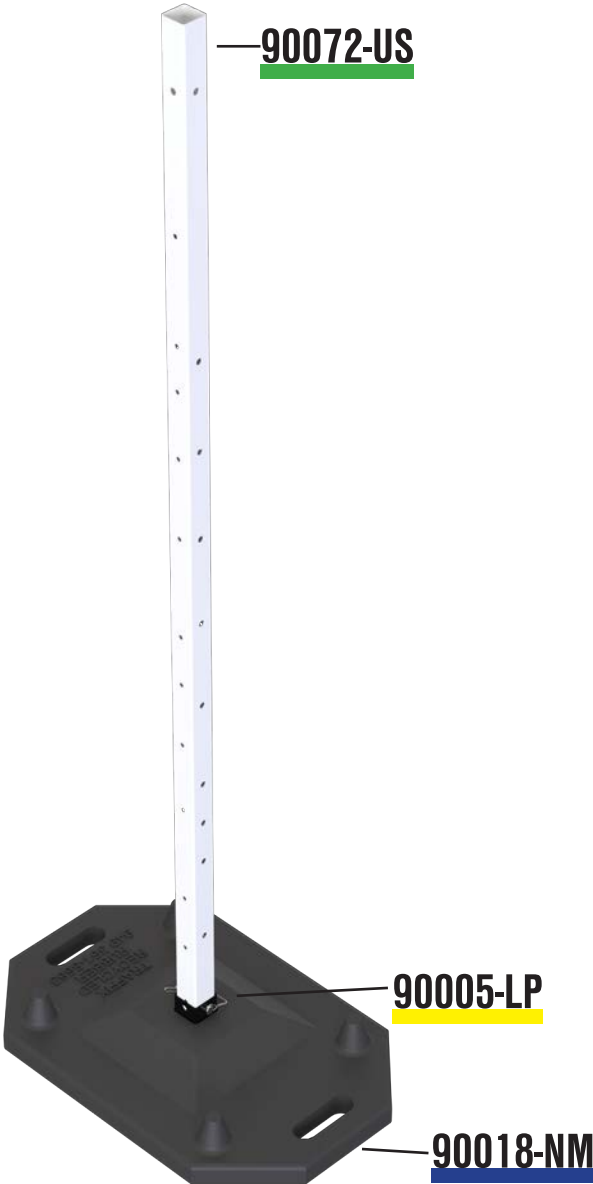


⑩ **26045**  
Spacer





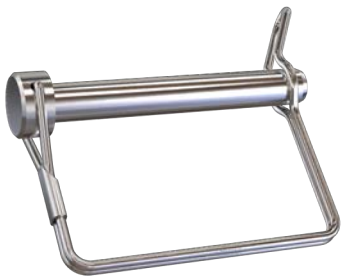
# Phoenix Parts



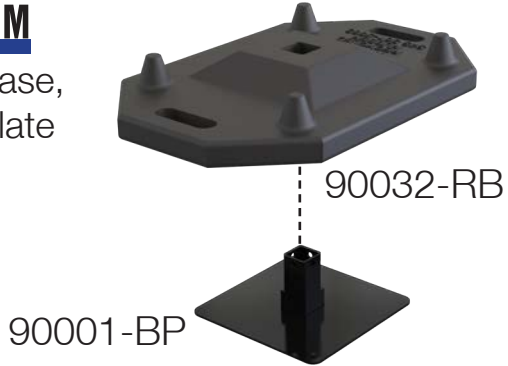
**90072-US**  
72" Phoenix Upright,  
Steel



**90005-LP** Lock Pin



**90018-NM**  
Phoenix Base,  
w/Steel Plate

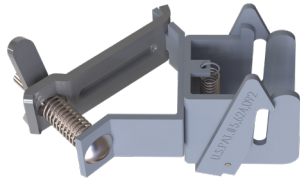


# **Section 3: Sign Stand Accessories**

# Sign Stand Accessories

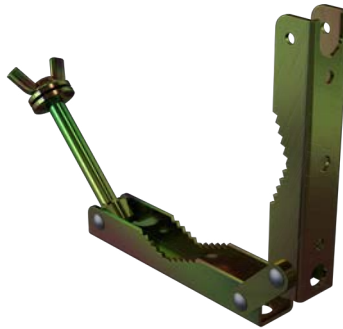
**60035**

Roll-up Sign Bracket,  
Big Buster



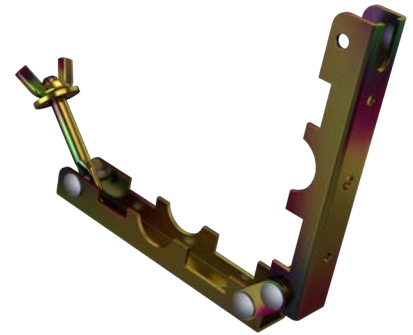
**22034-SMC**

Universal Clamp



**24034-3N1**

3-in-1 Clamp



**24000-BRU**

Roll-up Sign Bracket,  
Little Buster



**24036-EFZ-3N1**

(For 36" Sewn Pocket Sign)

Or

**24048-EFZ-3N1**

(For 48" Sewn Pocket Sign)

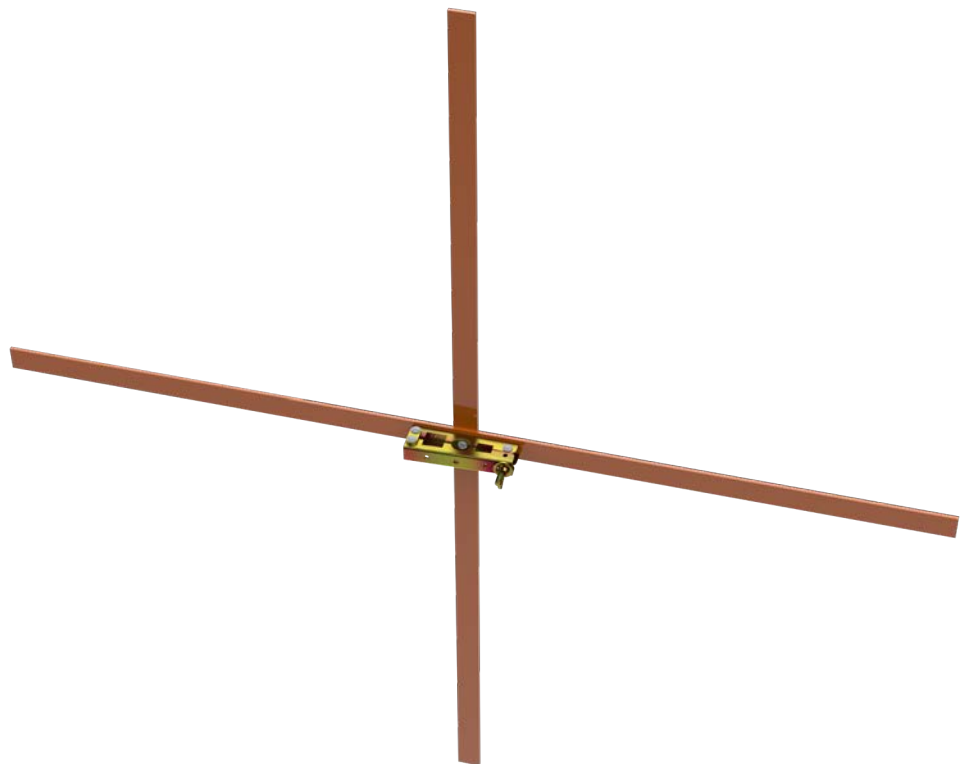
**60019**

Rigid Sign Bracket,  
Big Buster



**24321**

Rigid Sign Bracket,  
Little Buster



**TrafFix  
Devices Inc.**



***Engineered Products for Safer Highways***

(949) 361-5663

© 2024 TrafFix Devices